

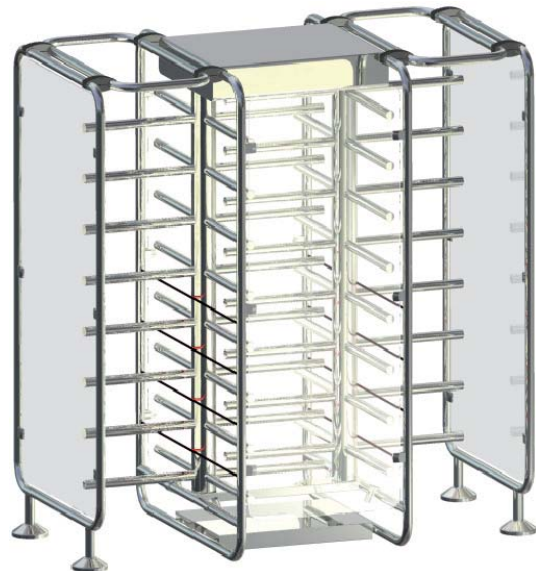
## VARIO 2100 D

The motorized, full-height Vario 2100 D vertical double turnstile is made entirely of rustproof material and is especially well-suited for creating barriers at high-traffic entrances to swimming pools and leisure facilities.

The drive and Logiturn controls are located on top and thus easily accessible and protected from ground moisture.

With its transparent housing, the Vario 2100 D is unobtrusive in appearance and enhances the architecture of the reception area.

The Vario 2100 D is suitable for single or dual directional operation and is optionally available in saltwater resistant construction.



### Features

- Small installation size, maximum security
- Silent running
- LOGITURN controls
- Bidirectional operation
- High traffic capacity
- Long service life
- Transparent design complements any architecture
- Saltwater version available
- Integrated control unit
- Maintenance-free mechanism
- Extensive range of accessories

### Applications

- Swimming pools and hot springs
- Plant security
- Museums and leisure facilities
- Suitable for outdoor applications

### Models/options

- Vertical double turnstile, full height

Options:

- Saltwater-resistant V4A construction
- Base console
- Green signal light
- External control console
- Touchless sensor start
- Light barrier fittings
- Climb-over/crawl-under protection

## Technical Data

Power supply:	24 V DC
Power consumption:	max. 200 VA
Traffic capacity:	3,400 persons/hour
Storage temperature:	-40°C to +50°C
Operating temperature:	+5°C to +50°C
Total/passage width:	1,145 mm / 550 mm
Length:	1,200 mm
Height:	1,300 mm
Weight:	180 kg
Interfaces:	RS485, potential-free con- tacts, optocoupler inputs, optional RS232
Material:	CrNi steel grade 1.4301 acrylic glass

## Function

In the normal operating mode, an electric brake locks the turning arms in place.

The brake is released by the reader system or an optional external manual control so that the arms can turn freely in the appropriate direction.

Slight pressure activates the drive, which turns the arms 90°. Internal sensors prevent the arms from hitting the person passing through and causing injury.

Once passage is completed, the turnstile sends a signal to the reader.

To prevent injuries in case of panic, a slip clutch allows the unit to be activated with a force of at least 10 kN when locked if an alarm is triggered.

When not powered, the arms can be turned manually with little force.

The 90° partitioning ensures secure traffic separation

## Standards & Regulations

CE Machinery Guidelines

UL 94 V-0

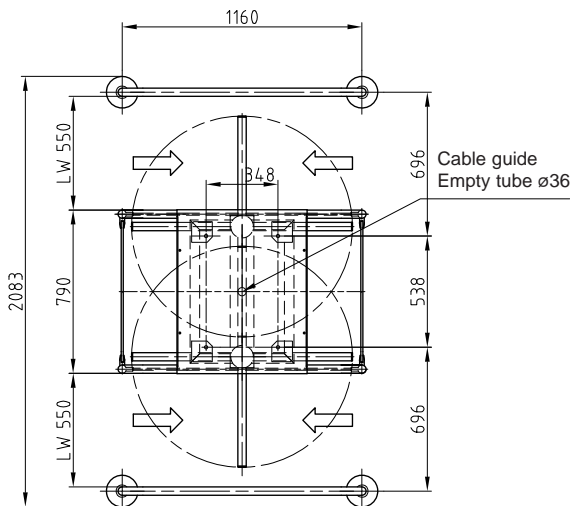
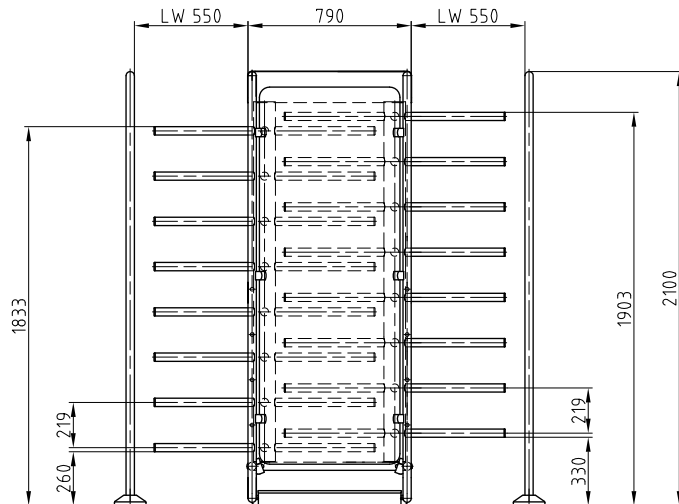
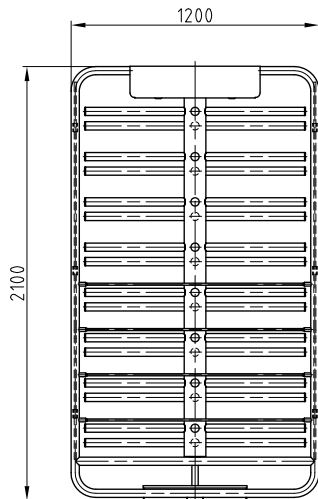
VDE/ÖVE PELV

Degree of protection: IP 43 per EN 60529

Manufacturing Std.: ISO 9001

## Sample Layout

## Dimensions



## Electrical Connections

### Inputs:

- Reader release, entry direction
- Reader release, exit direction
- Single release button, entry direction
- Single release button, exit direction
- Continuous release switch, entry direction
- Continuous release switch, exit direction
- Stop button

### Outputs:

- External entry counter, non-resettable
- External exit counter, non-resettable
- External signal light
- Feedback

### Models:

**6V902:** VARIO 2100 D-90 double turnstile

### Options:

**2100:** Saltwater-resistant V4A construction

**21683:** Base console

**21770:** Green signal light

**6P407:** External control console

**6P408:** External control console

**6P930:** Power supply 200 VA, 2x12V

**2PV12:** Touchless sensor start

**2PV13:** Opto-Sensor Assembly

**2P782:** Climb-over/crawl-under protection

### Other Products:

**6V900:** VARIO 2100E-90 double turnstile

**2V187:** VARIO 2100 acrylic lane divider

Various reader stands

## Sample Quotation

Item	Qty.	Text	Price each	Total
		<p>pc. vertical double turnstile(s), full-height design, with electric motor drive and 90° arm separation. Body and cover made from stainless steel and acrylic glass, stainless steel arms, compact design, for indoor installation.</p> <p>Clockwise or counter-clockwise rotation</p> <p>Maintenance-free mechanism, integrated control electronics. Drive and electronics located on top</p> <p>Runs on 24 V direct current</p> <p>Add-ons can be installed on either side and card readers or biometric security devices connected</p> <p>Bolted directly to load-bearing substrates (e.g., concrete floor) or installed with optional base console on non-load-bearing substrates.</p> <p>Reference product: Gotschlich Model VARIO 2100 D</p> <p>with the following optional features:</p> <ul style="list-style-type: none"> <li><input type="checkbox"/> Integrated optosensors for presence verification (release only when person present)</li> <li><input type="checkbox"/> Integrated optosensors for touchless actuation</li> <li><input type="checkbox"/> Green signal light</li> <li><input type="checkbox"/> Climb-over/crawl-under protection</li> <li><input type="checkbox"/> Saltwater-resistant V4A construction</li> </ul> <p>As well as the following accessories:</p> <ul style="list-style-type: none"> <li><input type="checkbox"/> Railings with acrylic glass as guide element</li> <li><input type="checkbox"/> Bracket for mounting a card reader</li> <li><input type="checkbox"/> External operating panel for manual turnstile operation</li> </ul>		