



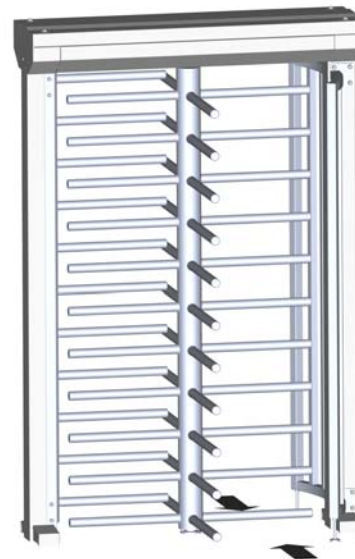
## Ecco 90 HE

The motor-driven man-height portal turnstile Ecco 90 HE with drum, deflection rack, guiding elements and stands in stainless steel is particularly suitable for outdoor plant security applications, as well as sports arenas, leisure facilities and pedestrian connections between car parks and office or residential buildings.

Due to its small overall size and its transparent appearance, Ecco 90 HE fits seamlessly in with fencing.

Ecco 90 HE is suited for unidirectional or bidirectional operation. With its 90° pitch, it offers high pedestrian separating.

For extremely cost-sensitive applications, a hot galvanized version is available.



### Features

- High Pedestrian Separation
- Architecture-friendly Transparency
- Small Size
- Simple Mounting
- Vandalism Resistant
- Uni- or Bidirectional Operation
- Selectable Entrance Direction
- High Durability
- Integrated Electronic Control
- Maintenance-free Mechanics
- Transition Counts

### Application Areas

- Plant Security
- Sports and Leisure Facilities
- Car Parks

### Models/Options

- Portal turnstile with spars, 90° pitch, stainless steel
- Portaldreh Sperre mit Holmen, 90° pitch, hot galvanized

Options:

- Roofing with optional eaves gutter and lighting
- Blocked at power-down

## Technical Characteristics

Power Supply:	230 V AC 50-60 Hz
Power Consumption:	50 VA max.
Operating Temperature:	-25°C to +40°C
Outer/Inner Width:	1,445 mm/550 mm
Length:	1,300 mm
Height:	2,252 mm
Weight:	230 kg
Reader Interface:	Floating Contacts
Material:	CrNi-Steel Type 1.4301 Aluminium, powder-coated

## Functional Description

In normal operation, an electric brake holds the drum in its blocking position.

Upon reception of a release signal from the reader system or an optional external manual control, the brake is released, allowing turning the drum in the preset direction.

Application of slight pressure triggers the driving motor, which turns the drum by 90°. Internal sensors prevent injuries from the turning bars running against the backs of passing pedestrians.

After completion of the transit, the turnstile sends a signal to the reader.

Powered off, the turnstile arms can be turned manually with little force.

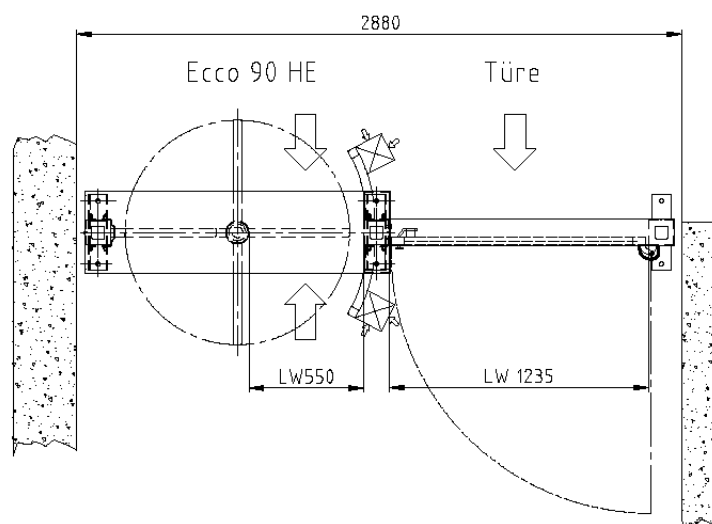
The 90° pitch ensures secure separating of persons.

The construction prevents climbing over the turnstile.

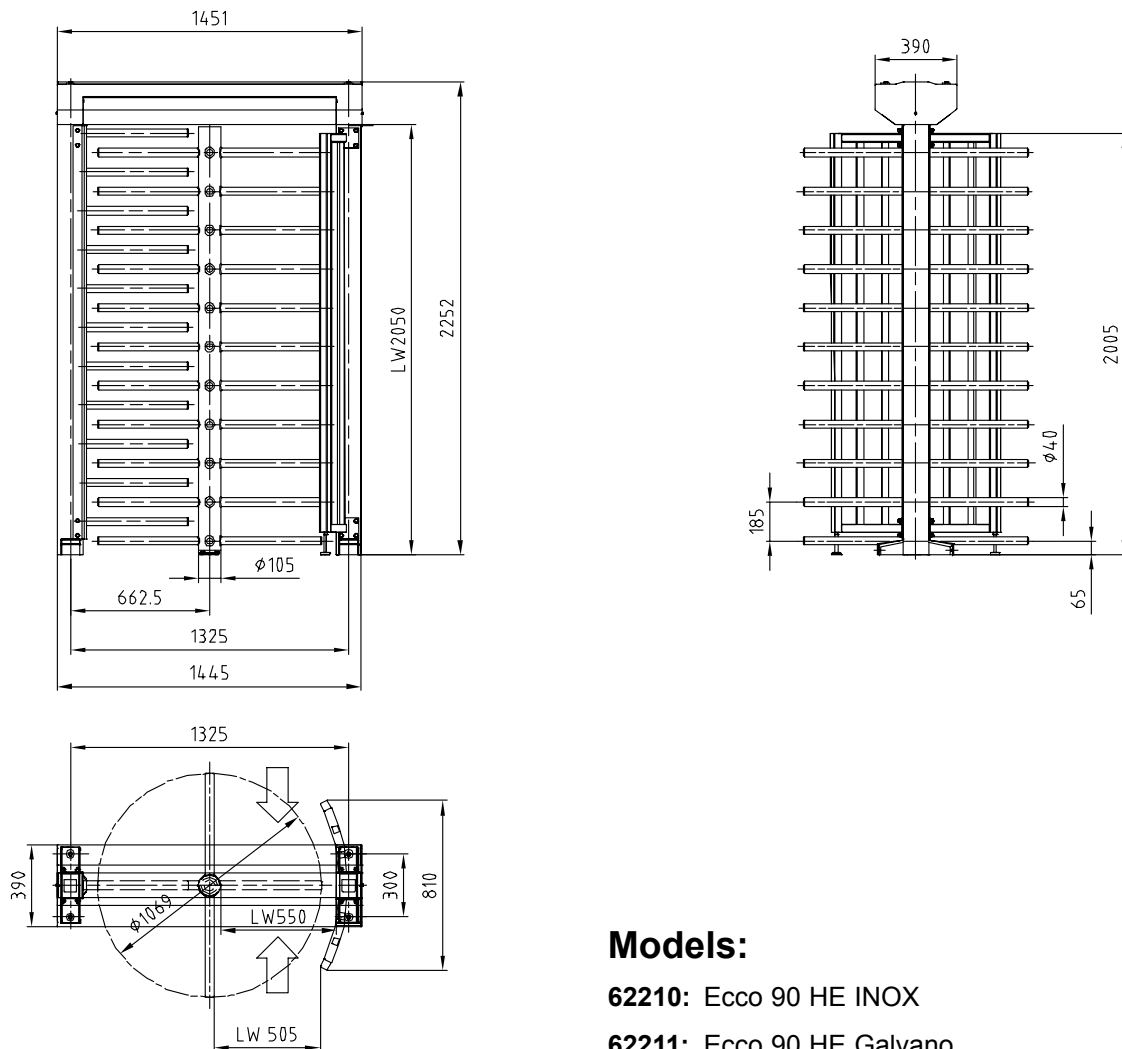
## Standards

CE	Directive of Machinery 98/37/ec
UL	94 V-0
VDE/ÖVE	protective earthing
Protection Class:	IP 43 / EN 60529
Production Standard:	ISO 9001

## Application Example (Plan View)



## Dimension Overview



## Electrical Ports

### Input:

- Reader Release Entrance Direction
- Reader Release Exit Direction
- Manual Release Entrance Direction
- Manual Release Exit Direction
- Permanent Release Entrance Direction
- Permanent Release Exit Direction
- Stop Button

### Output:

- External Counter non-resettable Entrance
- External Counter non-resettable Exit
- External Light
- Feedback

## Models:

**62210:** Ecco 90 HE INOX

**62211:** Ecco 90 HE Galvano

## Extras & Options:

Foundation Assembly with Template

Reader Mounting Fee including reader mount

Roof 1,300 mm length

Eaves gutter for roof

Inner ceiling with lighting

**61950:** External console

**22000:** Blocked at power-down

## Suitable By-Products:

**21695:** Reader Stand



## Sample Tender Document Entry

Pos.	Qty	Text	Item Price	Total
		<p>pcs. Vertical turnstile(s), man-high, with motor-driven turnstile drum. Blocking device spars with 90° pitch.</p> <p>Blocking device, deflection rack, guiding element and stand in V2A stainless steel, mattfinished or sanded and coated with acid protection. Bridge hot-galvanized steel, plastic coated.</p> <p>Gearbox cover Aluminium powder-coated RAL 9006 White Aluminium.</p> <p>Maintenance-free drive</p> <p>Power supply and electronic control for bidirectional operation integrated in the turnstile. Drive and drive electronics mounted overhead.</p> <p>230 V AC 50 Hz operation</p> <p>Prepared for physical and electrical attachment of card readers or biometric access control devices on both sides.</p> <p>Screw-mounting, direct on sustainable floors (e.g. concrete foundation) or with optionally available mounting brackets on non-sustainable floors.</p> <p>Reference product: Gotschlich Ecco 90 HE INOX</p> <p>alternatively:</p>		
		<p>pcs. Vertical turnstile(s), as described above, guiding element, bridge and stands hot-galvanized steel</p> <p>with the following accessories:</p> <p><input type="checkbox"/> External console for manual operation</p>		